

# DLA-CA

## Circuit Adapter

### Digital Light Agent

Date: \_\_\_\_\_

Quantity: \_\_\_\_\_

Company: \_\_\_\_\_

Project: \_\_\_\_\_

The Digital Lumens Digital Light Agents (DLAs) produce maximum energy savings and a real-time stream of actionable facility and environmental data, with integrated sensing and software optimization, and performance validation with utility-grade energy metering.



#### Key Features & Benefits

- 0-10 VDC dimming with switched AC
- Smooth digital dimming to a wide range of LED or legacy luminaire types
- Connects to a range of Digital Lumens DLA modules

#### Maximize Energy Savings

With SiteWorx Tune, customize and apply industry-leading lighting control strategies — including daylight harvesting and off-hour setback — to achieve up to 90% energy savings. Accessible via web and mobile applications, intuitive software provides easy management of lighting system settings and comprehensive reporting tools to maximize energy savings, safety, and visual comfort.

#### Instrument for the IIoT

With Digital Lumens intelligent LED luminaires and Digital Light Agent (DLA) lighting controls, your facility is immediately instrumented with SiteWorx, an easily expandable Industrial IoT solution that enables rapid deployment of additional sensor-based applications that extend beyond lighting to deliver even greater operational insight and create new value streams.

#### Quality and Reliability

Digital Lumens products are designed and manufactured to satisfy the highest standards of customers worldwide and deliver performance, reliability, and long life.

As an OSRAM business, Digital Lumens solutions are supported by a global network of partners and product specialists.

Our Brand

 DIGITAL LUMENS

**OSRAM**

## Specifications

---

### ELECTRICAL

#### Wiring and Connections

- Mains
  - Black: AC Switched Line
  - White: AC Neutral
  - Green: Ground
- Low Voltage<sup>1</sup>
  - Gray: 0-10 VDC -Dimming
  - Purple: 0-10 VDC +Dimming
- Digital Control<sup>1</sup>
  - Yellow: DALI -Signal
  - Yellow/Black: DALI +Signal
  - Black: DC -Auxiliary Power
  - Red: DC +Auxiliary Power

#### Input Voltage

- 100 – 277 VAC, 50/60 Hz

#### Power Consumption

- 0.5 W

#### Maximum Luminaire Current (switched AC)

- 7 A

#### Surge Rating

- Per IEC 60730
- 1 kV line-line / 2 kV line-earth

### ENVIRONMENTAL

#### Operating Temperature

- -22° – 122°F (-30° – 50°C)

#### Operating Humidity

- 0% – 95%, non-condensing

### PHYSICAL

#### Enclosure

- PC/ABS polymer, aluminum

#### Dimensions (H x W x D)

- 1.8 x 4.1 x 4.2 inch (41 x 104 x 108 mm)

#### Weight

- 7.6 oz (220 g)

#### Mounting Method

- Junction box (hardware supplied by installer)

#### Mounting Hole Diameter

- 0.5 inch (Pg-7) trade size knockout

### WARRANTY

- 5-Year Limited Warranty

### CERTIFICATIONS & SAFETY

#### Approbations

- UL/cUL, UL-NOM, CE, FCC Part 15, RoHS



## Ordering Information

---

#### Part Number

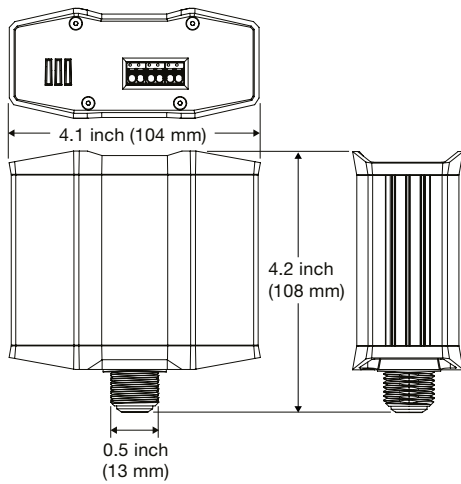
DLA-CA

---

#### Footnotes:

<sup>1</sup> 0-10V, DALI, and DC Aux connections are SELV.

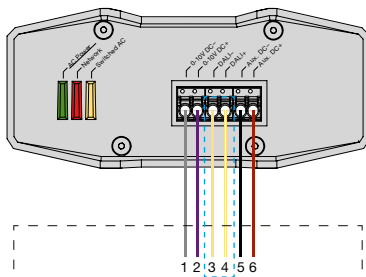
## Dimensions



## Connection Terminal Diagrams

### LED Status Indicator Guide

<b>Steady Green LED</b>	DLA-CA Powered On
<b>Steady Red LED</b>	DLA Communications Active
<b>Steady Yellow LED</b>	Switched AC Line Active



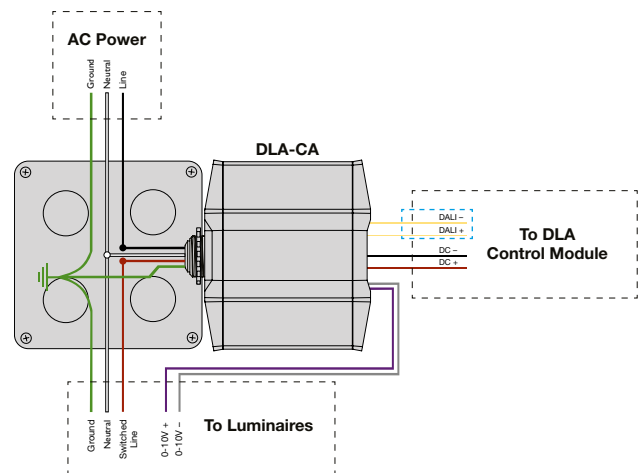
### DLA-CA Port Identification

<b>1. Gray</b>	0-10 VDC -Dimming
<b>2. Purple</b>	0-10 VDC +Dimming
<b>3. Yellow</b>	DALI -Signal
<b>4. Yellow/White</b>	DALI +Signal
<b>5. Black</b>	DC -Auxiliary Power
<b>6. Red</b>	DC +Auxiliary Power

**NOTE:**

Newer Versions use 2-Wires (Dotted blue line)  
Older Versions use 4-Wires (Dotted black line)

### DLA Control Modules with and without Auxiliary Power Inputs



**Digital Lumens**

374 Congress Street  
Suite 600  
Boston, MA 02210 USA  
Phone +1 617 723 1200  
www.digitallumens.com

**OSRAM**