

DLA-V | DLA-VN

Line-Powered Digital Lightelligence Agent

Date: _____

Quantity: _____

Company: _____

Project: _____

Designed to be integrated directly into third-party luminaires, junction boxes, or pole mounts — the Digital Lumens DLA-V and DLA-VN makes any 0-10V dimmable luminaire intelligent.



Key Features & Benefits

- Maximum energy savings via integrated sensing and software optimization
- Performance validation with utility-grade energy metering
- Provides a real-time stream of actionable facility usage data
- Lightelligence®, the Digital Lumens core technology that ensures openness, connectivity, and scalability

Digital Lumens' suite of SiteWorx® applications and an array of smart devices can meter your utilities, monitor your entire facility, and observe critical areas. SiteWorx starts delivering meaningful data and actionable insights right out of the box. Now you can make data-informed decisions, spot hidden problems, and take immediate action. All while keeping your people safe and productive and your operation efficient and sustainable.

SiteWorx Tune is an intelligent lighting control application that uses smart sensors and advanced cloud-based software to maximize energy savings, improve productivity, and maintain safe, comfortable light levels. It brings new control and savings to your lighting infrastructure. With SiteWorx Tune, you can stay informed via the Savings dashboard, which displays real-time energy usage and savings data.

Digital Lumens products are designed and manufactured to satisfy the highest quality standards of customers worldwide. Our products deliver performance, reliability, and long life and are supported by a global network of partners and product specialists.

Specifications

SENSING AND CONTROL

Wireless Networking

- IEEE 802.15.4 Compatible
- 2.4 GHz Band

Connected IoT Platform

- Lightelligence

Onboard Intelligence

- Distributed sensing and control
- Facility usage data-logging

Sensor Capabilities

- Occupancy sensing (PIR)
- Integrated daylight sensor
- Integrated power monitoring

Dimming Interface

- Dim range based on driver
- 0-10V dimming

Device Limit

- (3x) 0-10V drivers, refer to Load/Relay Rating

ELECTRICAL

Input Voltage

- 120 – 480 VAC

Load/Relay Rating

- 3.5 A @ 120 VAC
- 1.5 A @ 277 VAC
- 1.2 A @ 347 VAC
- 0.8 A @ 480 VAC

Power Consumption

- 1 W Active
- 0.5 W Standby

Power Wires

- Brown: Hot
- Blue: Neutral
- Red: Switched Line

Dimming Wires

- Gray/Purple: 0-10V, 50 mA sinking only

Surge Rating

- 4KV L-N per IEC 60730

ENVIRONMENTAL

Operating Temperature

- -4° – 122°F (-20° – 50°C)

Operating Humidity

- 0% – 95% non-condensing

PHYSICAL

Enclosure

- Sabic - Valox™

Dimensions (H x W x D)

- 2.53 x 3.82 x 4.18 inch (65 x 97 x 106 mm) — DLA-V
- 5.71 x 3.82 x 7.3 inch (146 x 97 x 185 mm) — DLA-VN

Weight

- 10.2 oz (286 g) — DLA-V
- 13 oz (369 g) — DLA-VN

Mounting Hole Diameter

- 0.5 inch (Pg-7) trade size knockout

Mounting Height

- Up to 35 ft (10.6 m)

WARRANTY

- 5-Year Limited Warranty

CERTIFICATIONS & SAFETY

Approbations

- UL/cUL 60730-1, UL-NOM, CE, CFR 47 FCC Part 15 Subpart B, CSA E60730-1, NSF

Environmental Suitability

- IP66, UL Wet Location, NSF/ANSI Standard 2 – Food Equipment



lightelligence
enabled

Ordering Information

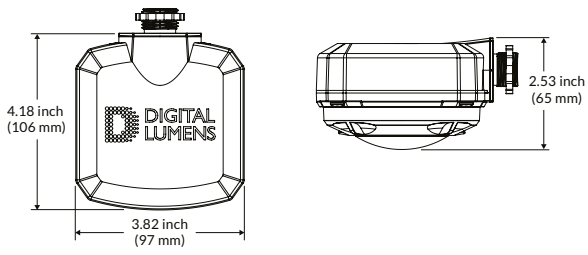
Part Number	Description
DLA-V-00-H	0-10V, High Bay
DLA-VN-00-H ¹	0-10V, High Bay

Footnotes:

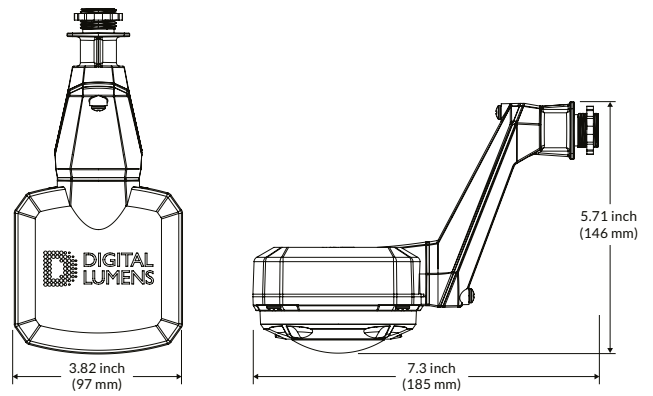
¹ DLA-VN compliance label for Singapore is located in the product Installation Instructions.

Dimensions

DLA-V

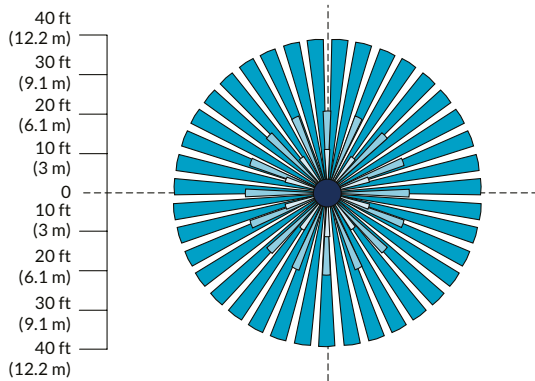


DLA-VN



Sensor Coverage

Top View



Side View

