

# SDN-PWR

## SiteWorx<sup>®</sup> Wireless Power Meter

The Digital Lumens SDN-PWR-GP is a wireless, wide range, global meter that collects non-lighting power consumption and characteristics data. This versatile meter links electric loads with the SiteWorx Sense application to deliver powerful reporting, alerts, and actionable intelligence.

Date: \_\_\_\_\_

Quantity: \_\_\_\_\_

Company: \_\_\_\_\_

Project: \_\_\_\_\_



### Key Features & Benefits

- Meter individual electrical loads in a building for a detailed and comprehensive view of consumption and additional power variables
- Simplify activity based costing to accurately allocate power consumption to each product line or facility area
- Analyze and optimize equipment use schedules to maximize utilization efficiency
- Native wireless communication for ease of installation
- Certified for global use
- Lightelligence<sup>®</sup>, the Digital Lumens core technology that ensures openness, connectivity, and scalability

### Facility-Wide Insight

SiteWorx Sense and SiteWorx-enabled smart sensors empower facility managers to automate and centralize critical environmental and process data, gain insight into previously invisible areas, apply data trends to minimize loss and leakage, identify predictive maintenance opportunities, and implement activity-based costing.

SiteWorx Sense provides immediate access to customizable alerts, advanced controls, and comprehensive, cloud-based reporting accessible via web and mobile applications.

### Instrument for the IIoT

With Digital Lumens intelligent LED luminaires and Digital Lightelligence Agent (DLA) lighting controls, your facility is immediately instrumented with SiteWorx, an easily expandable Industrial IoT solution that enables rapid deployment of additional sensor-based applications that extend beyond lighting to deliver even greater operational insight and create new value streams.

### Quality and Reliability

Digital Lumens products are designed and manufactured to satisfy the highest standards of customers worldwide and deliver performance, reliability, and long life.

As an OSRAM business, Digital Lumens solutions are supported by a global network of partners and product specialists.

Our Brand

 DIGITAL LUMENS



## Specifications

---

### SENSING AND CONTROL

#### Wireless Networking

- IEEE 802.15.4 Compatible
- 2.4 GHz Band

#### Connected IoT Platform

- Lightelligence Enabled

#### Reported Power Characteristics

- kWh
- Reactive Power
- Apparent Power
- Real Power
- Current
- Voltage
- Power Factor

### PERFORMANCE

#### Accuracy

- Nominal  $\pm 0.5\%$

#### Sampling Rate

- 1 sample/minute default

#### Sample Interval

- 1 – 5 minute (5 minute default)

### ELECTRICAL

#### Nominal Operating Voltage

- 100 – 600 VAC (line-to-neutral or line-to-line)

#### Maximum & Minimum Operating Voltage

- $\pm 10\%$  on nominal

#### Phase Monitoring

- Wye and delta, single and three phase

#### Line Frequency

- 45 – 65 Hz

#### Supply Watts

- $< 2$  W

#### Supply Volt-Amperes

- $< 4$  VA

#### Power Factor

- 0.6

#### Connectors

- Euroblock style pluggable screw terminal blocks

### ENVIRONMENTAL

#### Operating Temperature

- $-40^{\circ}$  –  $176^{\circ}$ F ( $-40^{\circ}$  –  $80^{\circ}$ C)

#### Operating Humidity

- 5% – 90% up to  $104^{\circ}$ F ( $40^{\circ}$ C), decreasing linearly to 50% at  $131^{\circ}$ F ( $55^{\circ}$ C)

### PHYSICAL

#### Enclosure

- High impact, ABS/PC plastic

#### Dimensions (H x W x D)

- 5.47 x 3.34 x 1.77 inch (135 x 85 x 45 mm)

#### Weight

- 8.2 oz (233 g)

#### Mounting Hole Diameter

- 0.2 inch (5.1 mm)

### WARRANTY

- 5-Year Limited Warranty

### CERTIFICATIONS & SAFETY

#### Approbations

- UL/cUL, CE, FCC Part 15 Class A



**lightelligence**  
enabled

## Ordering Information

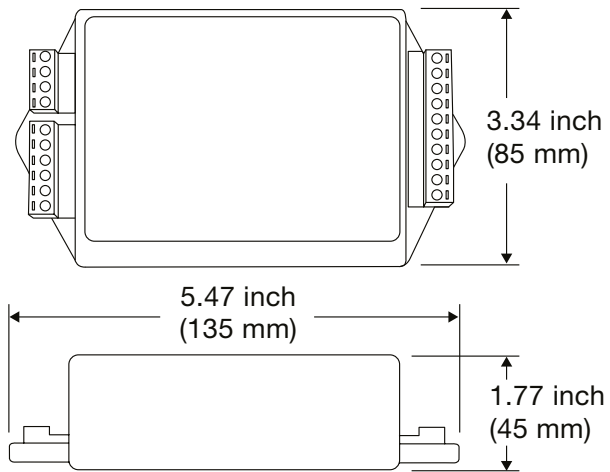
---

#### Part Number

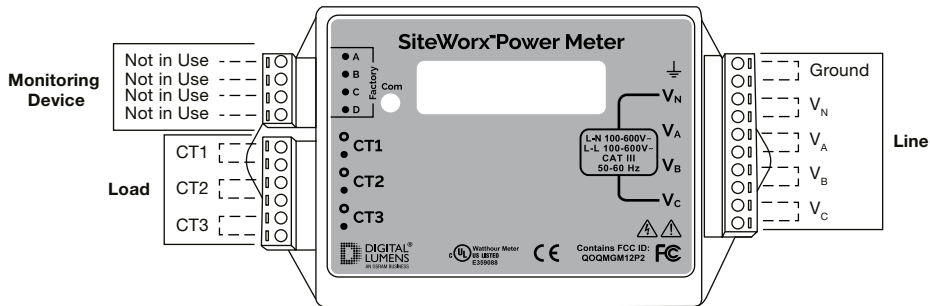
SDN-PWR-GP

---

## Dimensions



## Connection Terminal Diagram



**Digital Lumens**

374 Congress Street  
Suite 600  
Boston, MA 02210 USA  
Phone +1 617 723 1200  
www.digitallumens.com

**OSRAM**