

SCN-I

Luminaire-Integrated SiteWorx® Core Node

Date: _____

Quantity: _____

Company: _____

Project: _____

SCN-I are adaptive lighting controls that enables wireless sensing and control as well as SiteWorx compatibility to third-party luminaires.

The SCN-I makes any luminaire from any manufacturer intelligent.



Key Features & Benefits

- Designed to integrate directly into third-party luminaires, without external enclosures or connections
- Maximum energy savings via integrated sensing and software optimization
- Performance validation with utility-grade energy metering
- Provides a real-time stream of actionable facility usage data
- Lightelligence®, the Digital Lumens core technology that ensures openness, connectivity, and scalability

Maximize Energy Savings

With SiteWorx Tune, customize and apply industry-leading lighting control strategies — including daylight harvesting and off-hour setback — to achieve up to 90% energy savings. Accessible via web and mobile applications, intuitive software provides easy management of lighting system settings and comprehensive reporting tools to maximize energy savings, safety, and visual comfort.

Instrument for the IIoT

With Digital Lumens intelligent LED luminaires and SiteWorx Core Node (SCN) wireless controls, your facility is immediately instrumented with SiteWorx, an easily expandable Industrial IoT solution that enables rapid deployment of additional sensor-based applications that extend beyond lighting to deliver even greater operational insight and create new value streams.

Quality and Reliability

Digital Lumens products are designed and manufactured to satisfy the highest standards of customers worldwide and deliver performance, reliability, and long life.

As an OSRAM business, Digital Lumens solutions are supported by a global network of partners and product specialists.

Our Brand

 DIGITAL LUMENS

OSRAM

Specifications

SENSING AND CONTROL

Wireless Networking

- IEEE 802.15.4 Compatible
- 2.4 GHz Band
- Integrated Bluetooth Low Energy (BLE)

Connected IoT Platform

- Lightelligence Enabled

Onboard Intelligence

- Distributed sensing and control
- Facility usage and data-logging

Sensor Capabilities

- Integrated PIR occupancy sensor
- Integrated Daylight sensor
- SR/DEXAL driver-ready

Dimming Interface

- Dim range based on driver
- 0-10V dimming and switching when used with DLA-FA or DLA-CA adapters
- 0-10V with auxillary power when used with appropriate drivers
- DALI compatible

Device Limit

- DALI
 - Up to (4x) DLA-FA or DLA-CA adapters, or (16x) DALI¹, SR², or DEXAL² drivers
- 0-10V with auxillary
 - Up to (4x) 0-10V with auxillary enabled drivers

ELECTRICAL

Input Voltage

- DALI
 - 12 – 22.5 VDC, 16 VDC Typical, DALI bus powered
- 0-10V with auxillary
 - 12 – 24 VDC auxillary powered with appropriate driver

Power Consumption

- 0.5 W maximum – DALI and 0-10V with auxillary

Connections

- DALI
 - Yellow/White: DALI+
 - Yellow: DALI-
- 0-10V with auxillary
 - Purple: 0-10 VDC +Dimming
 - Gray: 0-10 VDC -Dimming
 - Black: Auxillary power

ENVIRONMENTAL

Operating Temperature

- -22° – 122°F (-30° – 50°C)

Operating Humidity

- 0% – 95% non-condensing

PHYSICAL

Enclosure

- PC/ABS Polymer

Dimensions (H x W x D)

- 1.9 x 3.3 x 3 inch (47 x 83 x 76 mm)

Weight

- 5 oz (140 g)

Mounting

- Housing mounted within luminaire enclosure; sensor lens assembly is external

Mounting Height

- Standard Optic: 8 – 20 ft (2.4 – 6.1 m)
- High-Bay Optic: 12 – 32 ft (3.7 – 9.8 m)

Mounting Hole Diameter

- 0.5 inch (Pg-7) trade size knockout

WARRANTY

- 5-Year Limited Warranty

CERTIFICATIONS & SAFETY

Approbations

- UL/cUL, CE, FCC Part 15 Class B, SR Certified

Environmental Suitability

- IP65 (when installed within appropriate third-party luminaire housing)



lightelligence
enabled

Ordering Information

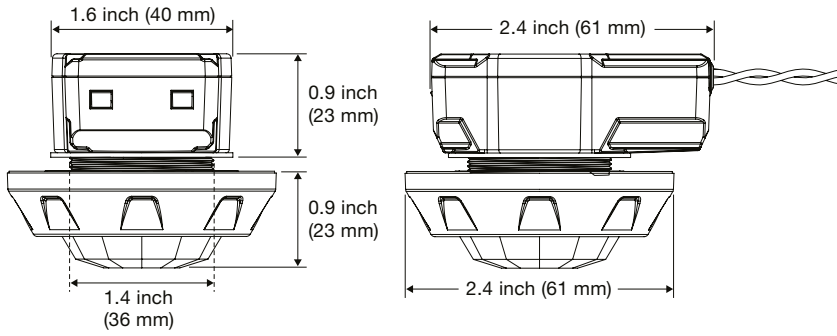
Part Number	Description
SCN-I-00-D	SiteWorx Core Node, Integral, 0-10V, High Density Lens
SCN-I-01-D	SiteWorx Core Node, Integral, DALI, High Density Lens

Footnotes:

¹ DALI drivers require a separate DALI power supply in order to power the SCN.

² With SR and DEXAL drivers, to prevent damaging the SCN, ensure that no more than (1x) driver has the power bus enabled.

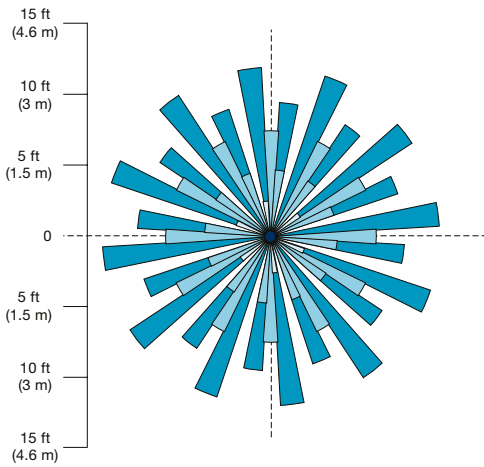
Dimensions



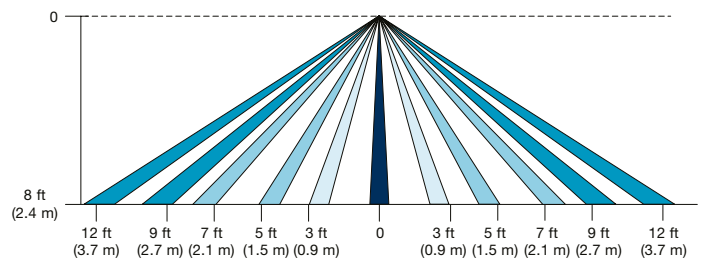
Sensor Coverage

Standard Optic

Top View

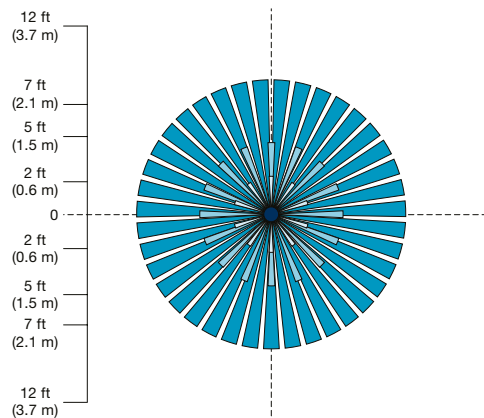


Side View

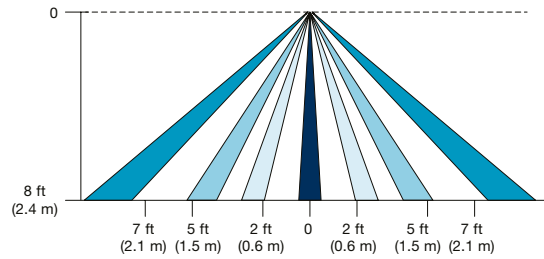


High-Bay Optic

Top View



Side View



Digital Lumens

374 Congress Street
Suite 600
Boston, MA 02210 USA
Phone +1 617 723 1200
www.digitallumens.com

OSRAM