

# SDN-BTA

## Wireless Bluetooth Smart Device

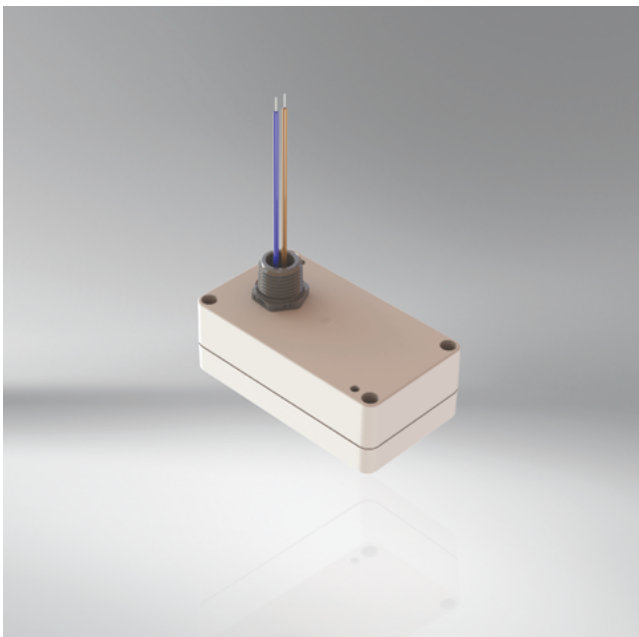
A smart device enabling Bluetooth Low-Energy (BLE) and ZigBee® Wireless Mesh Networks.

Date: \_\_\_\_\_

Quantity: \_\_\_\_\_

Company: \_\_\_\_\_

Project: \_\_\_\_\_



### Key Features & Benefits

- Provides both Bluetooth Low-Energy (BLE) and ZigBee Wireless Mesh Network capability
- Enables SiteWorx® Area application find, track, and count capabilities
- Perfect for new and retrofit installation
- Compatible with multiple form factors of Digital Lumens provided BLE Tokens
- Line-voltage powered for easy placement and installation
- Mounts to any standard 0.5 inch (Pg-7) trade size knockout
- Lightelligence®, the Digital Lumens core technology that ensures openness, connectivity, and scalability

### With Facility Wellness as Your Goal—Our SiteWorx Solution is The Path That Takes You There

Our suite of SiteWorx applications and array of smart devices can meter your utilities, monitor your entire facility, and observe critical areas.

SiteWorx starts delivering meaningful data and actionable insights right out of the box. Now you can make data-informed decisions, spot hidden problems, and take immediate action. All while keeping your people safe and productive and your operation efficient and sustainable.

Our smart devices can be used with your lighting infrastructure or separately—making it easy to add more devices (and capabilities) as you identify new opportunities for greater efficiency and savings.

### Observe Occupancy and Activity in Real-Time

SiteWorx Area gives you the ability to take a closer look at critical areas of your facility—or your entire facility. Monitor high-traffic areas and be notified when there is employee congestion, a potential health issue. Optimize floor plans by understanding space utilization. Become more efficient in your operations by creating user-defined geofences, and understand real-time movement and dwell-time of people, equipment and goods.

## Specifications

### SENSING AND CONTROL

#### Wireless Networking

- IEEE 802.15.4 compliant
- 2.4 GHz Band
- Integrated Bluetooth Low-Energy (BLE)

#### Connected IoT Platform

- Lightelligence Enabled

### ELECTRICAL

#### Input Voltage

- 120 – 277 VAC, 50/60 Hz

#### Power Consumption

- 0.5 W

### ENVIRONMENTAL

#### Operating Temperature

- -22° – 140°F (-30° – 60°C)

#### Operating Humidity

- 0% – 95%, non-condensing

### PHYSICAL

#### Enclosure

- ABS Plastic

#### Dimensions (H x W x D)

- 3.5 x 2.1 x 1.1 inch (88 x 54 x 28 mm)

#### Weight

- 7.05 oz (200 g)

#### Mounting Method

- 0.5 inch (Pg-7) trade size conduit knockout

### WARRANTY

- 5-Year Limited Warranty

### CERTIFICATIONS & SAFETY

#### Approbations

- UL/cUL, UL-NOM, CE, FCC Part 15 Class B

#### Environmental Suitability

- IP65



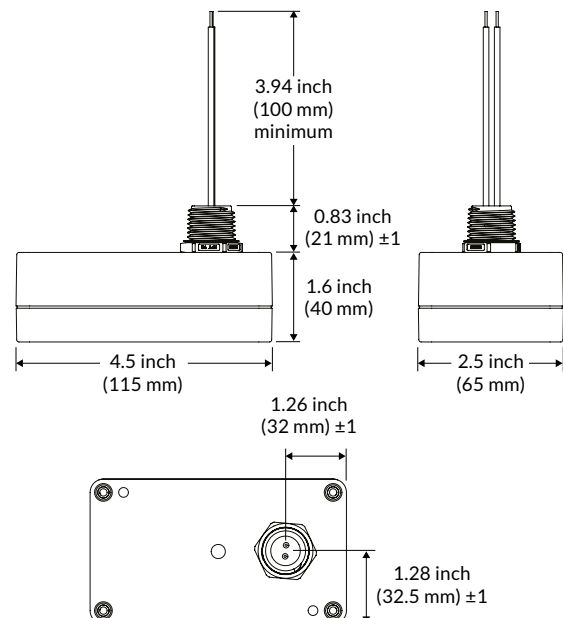
**lightelligence**  
enabled

## Ordering Information

#### Part Number

SDN-BTA-ST

## Dimensions



### Digital Lumens

374 Congress Street  
Suite 600  
Boston, MA 02210 USA  
Phone +1 617 723 1200  
www.digitallumens.com