

LGT-SKT

Lightelligence Port

The Digital Lumens Lightelligence Port paired with the advanced Lightelligence Sensing and Communications Module brings wireless sensing and coordinated control capabilities to any Lightelligence Ready luminaire.

Date: _____

Quantity: _____

Company: _____

Project: _____



Key Features & Benefits

- Upgradable Lightelligence Port designed for future-proof operation
- Provides simple installation in standard j-boxes and ceiling tiles
- Lightelligence Sensing and Communications Module is wireless and easily connects to the SiteWorx Facility Insights application suite and SiteWorx Smart Devices
- Built on Lightelligence®, the Digital Lumens core technology that ensures openness, connectivity, and scalability

The Lightelligence Port provides a simple and easy upgrade path with its future-proof design. As new sensing and communication technologies are released, you can easily take advantage while you keep your intelligent LED luminaires in place.

The Lightelligence Port is designed to be integrated within intelligent luminaires, next to intelligent luminaires, or independently in a ceiling-mounted junction box.

The Lightelligence Sensing and Communications Module provides multiple sensing capabilities such as PIR occupancy and daylight sensors, integrated Bluetooth Low-Energy (BLE) communications to Digital Lumens Smart Devices. It communicates to the SiteWorx Facility Insights platform via an IEEE 802.15.4 compatible 2.4 GHz band wireless connection.

You are guaranteed openness, connectivity, scalability, and upgradability with Lightelligence, the Digital Lumens core technology platform.

Specifications

SENSING AND CONTROL

Wireless Networking

- IEEE 802.15.4 Compatible
- 2.4 GHz Band

Connected IoT Platform

- Lightelligence

Onboard Intelligence

- Distributed sensing and control
- Facility usage data-logging
- Modular intelligence package

Sensor Capabilities

- Integrated PIR occupancy sensor
- Integrated daylight sensor
- Integrated Bluetooth Low-Energy (BLE)

Dimming Interface

- Wireless dimming through SiteWorx Tune for Lightelligence Ready luminaires
- Coordinated Control

ELECTRICAL

Input Voltage

- 120 – 277 VAC, 50/60 Hz

Power Consumption

- 0.5 W Standby
- 1 W Active

Power Terminals

- Brown: Line
- Blue/White: Neutral

Surge Rating

- 1KV L-N
- 2KV Common

ENVIRONMENTAL

Operating Temperature

- -4° – 122°F (-20° – 50°C)

Operating Humidity

- 0% – 95% non-condensing

PHYSICAL

Enclosure

- Polycarbonate — Port
- Polycarbonate/ABS — Module

Dimensions (H x W)

- 1.8 x 4.4 inch (46.1 x 111.8 mm)

Weight

- 8 oz (227 g)

Mounting Method

- (2x) Fasteners, backing plate
- Standard J-Box
- Ceiling Tile

Mounting Height

- Up to 50 ft (15 m) – Standard

Mounting Hole Diameter

- 0.18 inch (5 mm)

Mounting Hole Spacing

- (2x) centerline; 3.5 inch (89 mm) apart

WARRANTY

- 5-Year Limited Warranty

CERTIFICATIONS & SAFETY

Approbations

- UL/cUL, UL-NOM, CE, FCC Part 15 Subpart B

Environmental Suitability

- UL Damp Location

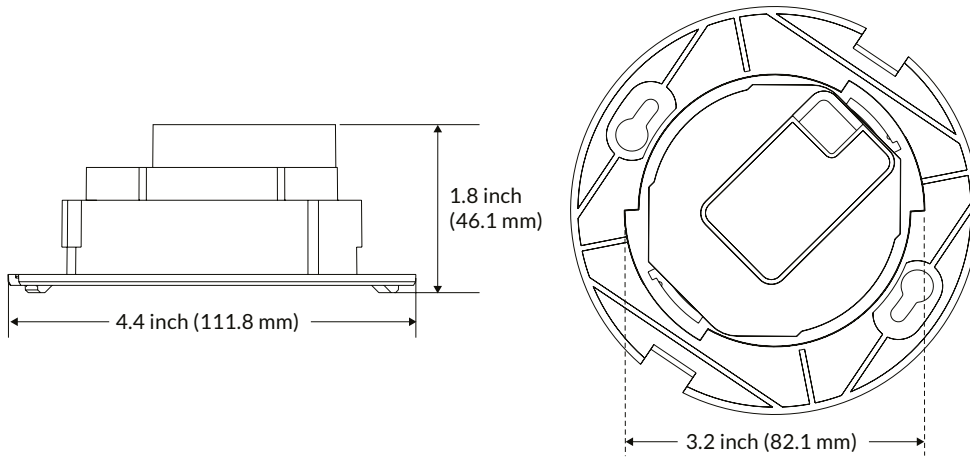


lightelligence
ready

Ordering Information

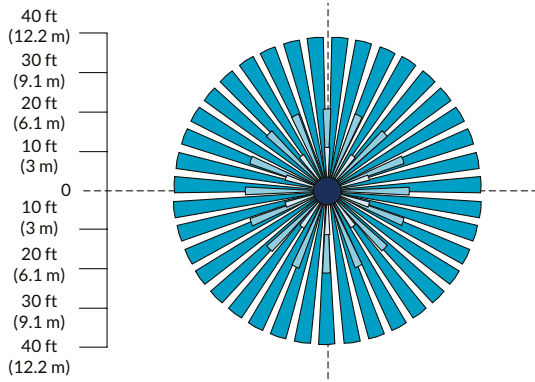
Part Number	Description
LGT-SKT-ST	Lightelligence Port, 120-277 VAC
LGT-GEN	Lightelligence Sensing and Communications Module, General Purpose (PIR, BLE)

Dimensions



Sensor Coverage

Top View



Side View

